

价值源于可靠
Value in action

BACKHOE LOADER

挖掘装载机



▶ 技术参数 TECHNICAL PARAMETER

Model	Unit	LGB88	LGB88H	LG15-10BL	LG25-18BL	LG28-20BL	LG30-25BL	LG40-28BL	LG40-30BL
Operating weight	kg	8200	10050	4100	5100	5600	6800	7100	8100
L*W*H	mm	6150×2350 ×3763	6450×2490 ×3120	5900×1860 ×2960	6800×2100 ×2980	6980×2200 ×3100	7600×2250 ×3280	7820×2250 ×3200	7850×2380 ×3580
Loading bucket capacity	m ³	1.2	1.2	0.5	0.8	1	1.2	1.3	1.5
Rated load	kg	2500	2500	1000	1800	2000	2500	2800	3000
Dumping height	mm	2740	3050	2300	2450	3300	3500	3600	3600
Dumping reach	mm	1062	1048	830	890	910	1050	1065	1065
Digging bucket capacity	m ³	0.3	0.3	0.1	0.18	0.2	0.3	0.35	0.4
Max. Digging depth	mm	4085	4085	2000	2600	2750	4085	4150	4150

► **相关辅具 AVAILABLE ATTACHMENTS**



圆抱夹 round clip



欧式草叉 euro grass fork



平托叉 pallet fork



破碎锤 breaking hammer



扫地机 sweeper



圆包辊 round bale roller

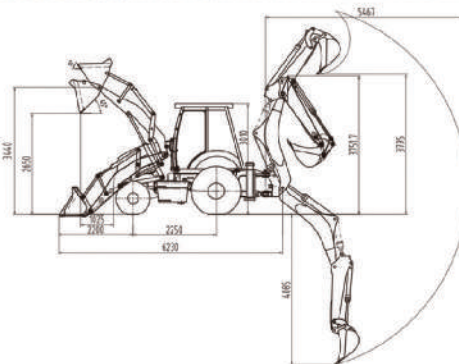


V型推雪板 V snow blade



快换装置 Quick Change (可定制)

► **产品外观尺寸 MACHINE DIMENSIONS**



Advantages:

- Two sides digging and loading functions
- Various types in different size and loading capacity
- High efficiency hydraulic system
- Premium and standard parameter both available
- Long life working and powerful working capacity

• Options: Cummins 4BTA3.9-C100(74kw); Air conditioner; quick hitch; telescopic boom; H leg

Model	Unit	LGB88	LGB88H	LG15-10BL	LG25-18BL	LG28-20BL	LG30-25BL	LG40-28BL	LG40-30BL
Engine model		Yuchai 4105Turbo	Yuchai 4105Turbo	Yunnei 490	Yunnei 490 T	Yunnei 4100 T	Yunnei 4102 T	Yuchai 4105 T	Yuchai YCD4J22T-125
Rated load	Kw	75	75	42	58	65	76	85	91
Min. Rotation radius	mm	6581	5018	4650	4800	4880	4920	4920	5015
Axle		YUNYU	YUNYU	ISUZU	small hub reduction	Big hub reduction	Big hub reduction	Big hub reduction	Big hub reduction
Driving mode		4x4	4x4	4x4	4x4	4x4	4x4	4x4	4x4
Transmission	Automatic	Power shift	Power shift	Power shift	Power shift	Power shift	Power shift	Power shift	Power shift
Tire size		14-17.5 /19.5L-24	16.9-28-14	20.5/70-16	23.5/70-16	16/70-20	16/70-20	16/70-24	17.5-25